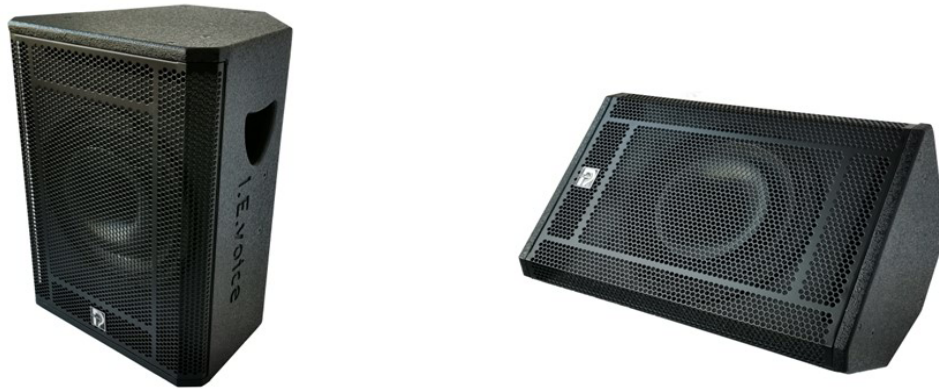




C. 12ET 加强型两分频同轴音箱

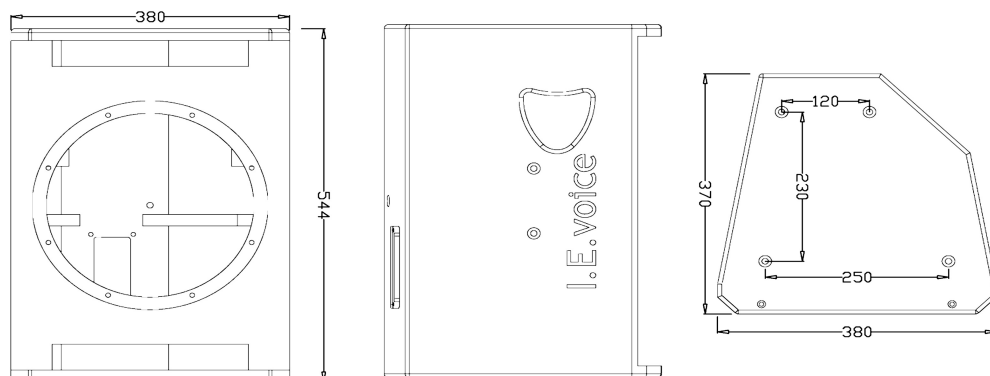
本产品的技术专利号：ZL 2018 2 1981273.9



音箱特性：同轴喇叭设计的唯一特点是：具有更精准的同一声相发生点，使其在工作状态下的频率处理范围更宽、更大，从而使由于频率间的干涉效应造成的音色变化和失真率降到最小，因此同轴喇叭的音色效果具有极高的人声还原度和强劲的穿力，并且能够清晰地体现出声音频率的层次感与干净度。由于I.E.voice钕磁同轴喇叭中、高频突出的优越性加上厚重的低频效应更增强了高密度的凝聚力，也就凸显出了I.E.voice钕磁同轴喇叭的瞬间动态的速度感、导致视听者在不同环境下都能感受到表演现场的真实感。

应用环境：C.12ET为C.12的高解析加强版，配置更高性能的12寸钕磁同轴单元，相对C.12标准版扬声器，具有更低失真，更干净的声音还原，投射距离更远的特点。致力于推动声音的艺术及技术，为满足最为苛刻的声音需求而生。广泛的用于Live表演，舞台乐队返送；高端私人会所、音乐餐吧和专业的语言扩声场景。

规格	参数
频率响应 (-10dB)	50Hz-20KHz
额定阻抗	8Ω
灵敏度 (1W/1m)	98dB
最大声压	135dB
标称覆盖角	80°锥形覆盖
单元结构	1X12" 低音; 1X2.5" 高音
额定功率	500W
接线座	2个4芯SPEAKON插座
吊挂点	12个 (直径=8mm)
外型尺寸 (WxHxD)	380 x 544 x 370mm
重量	25Kg (含包装)
主体颜色	黑色 (B) / 白色 (W)



C.12ET Enhanced two - frequency coaxial speakers

The technical patent number of the product : ZL 2018 2 1981273.9



Speakers feature: the only feature of coaxial horn design is: the same sound with more accurate phase points, make its in the working status of the frequency range wider and larger, so that the tone changes due to the interference effect between the frequency and the distortion rate is minimized, thus the timbre of the coaxial horn effect has a very high voice reduction degree and strong penetrating power, and can clearly reflect the sound frequency administrative levels feeling and clean degree. Due to the outstanding advantages of the medium and high frequency of the neodymium coaxial trumps and the heavy low-frequency effect, the high density cohesion is enhanced, which highlights the instantaneous dynamic speed sense of the neodymium coaxial trumps, resulting in the audio-visual audience can feel the reality of the performance scene in different environments.

Application environment: C.12ET is a high resolution enhanced version of C.12, equipped with a 12-inch neodymium magnetic coaxial unit with higher performance. Compared with the standard version of C.12 loudspeaker, it has the characteristics of lower distortion, cleaner sound reduction and longer projection distance. Art and technology dedicated to the promotion of sound, designed to meet the most demanding sound needs. Widely used in Live performance, stage band return; High-end private clubs, music bars and professional language amplification scene.

Specifications	Parameter
Frequency response (-10dB)	50Hz-20KHz
Rated impedance	8Ω
Sensitivity (1W/1m)	98dB
Maximum sound pressure	135dB
Nominal covering Angle	80° tapered coverage
Structure	1X12" bass ; 1X2.5" high
Rated power	500W
Socket	Two 4-wick SPEAKON outlets
Hanging point	12 pieces (diameter =8mm)
Dimensions (WxHxD)	380 x 544 x 370mm
Weight	25Kg
Color	Black /white

