



C. 12 钕磁同轴两分频音箱

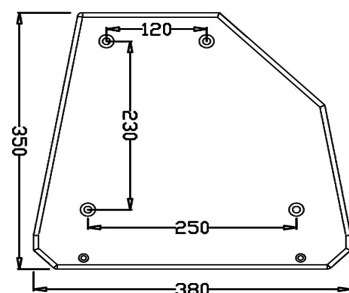
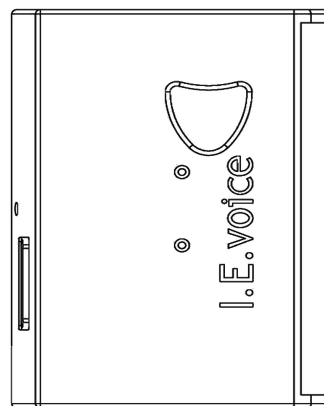
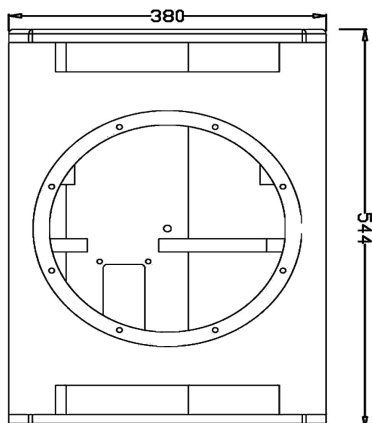
本产品的技术专利号：ZL 2018 2 1981273.9



音箱特性：同轴喇叭设计的唯一特点是：具有更精准的同声相发生点，使其在工作状态下的频率处理范围更宽、更大，从而使由于频率间的干涉效应造成的音色变化和失真率降到最小，因此同轴喇叭的音色效果具有极高的人声还原度和强劲的穿透力，并且能够清晰地体现出声音频率的层次感与干净度。由于I.E.voice钕磁同轴喇叭中、高频突出的优越性加上厚重的低频效应更增强了高密度的凝聚力，也就凸显出了I.E.voice钕磁同轴喇叭的瞬间动态的速度感、导致视听者在不同环境下都能感受到表演现场的真实感。

应用环境：超紧凑且高性价比的型号，具有频带宽，克服同轴扬声器低频相应不好的缺点，音乐、语言解析度高以及同轴声像一致的扩声特点，完美演绎点声源的音乐乐趣。广泛的用于Live表演，舞台乐队返送；KTV娱乐、音乐餐吧和专业的语言扩声场景。

规格	参数
频率响应 (-10dB)	73Hz-18KHz
额定阻抗	8Ω
灵敏度 (1W/1m)	99dB
最大声压	128dB
标称覆盖角	60°锥形覆盖
单元结构	1X12" 低音; 1X2" 高音 额
额定功率	400W
接线座	2个4芯SPEAKON插座
吊挂点	8 mm 吊环
外型尺寸 (WxHxD)	380 x 566 x 360mm
重量	19.3Kg (含包装)
主体颜色	黑色 (B) / 白色 (W)



C.12 neodymium magnetic coaxial frequency divider

The technical patent number of the product : ZL 2018 2 1981273.9



Speaker features: the only feature of coax-ial horn design is: the same sound with more accurate phase points, make its in the working status of the fre-quency range wider and larger, so that the tone changes due to the interference effect between the frequency and the distortion rate is minimized, thus the timbre of the co-axial horn effect has a very high voice reduction degree and strong penetrating power, and can clearly reflect the sound frequency administrative levels feeling and clean degree. Due to the outstanding advantages of the medium and high frequency of the neodymium coaxial trumps and the heavy low-frequency effect, the high density cohesion is enhanced, which highlights the instantaneous dynamic speed sense of the neodymium coaxial trumps, resulting in the audio-visual audience can feel the reality of the performance scene in different environments.

Application environment: Super compact and cost-effective model, with a wide frequency band, to overcome the coaxial loudspeaker low frequency corresponding bad shortcomings, high music, language resolution and coaxial sound image consistent sound amplification characteristics, perfect interpretation of point sound source music fun. Widely used in Live performance, stage band return; KTV entertainment, music bar and professional language amplification scene.

Specifications	Parameter
Frequency response (-10dB)	73Hz-18KHz
Rated impedance	8Ω
Sensitivity (1W/1m)	99dB
Maximum sound pressure	128dB
Nominal covering Angle	60° tapered coverage
Structure	1X12" bass ; 1X2" high
Rated power	400W
Socket	Two 4-wick SPEAKON outlets
Hanging point	8 mm rings
Dimensions (WxHxD)	380 x 566 x 360mm
Weight	19.3Kg
Color	Black /white

