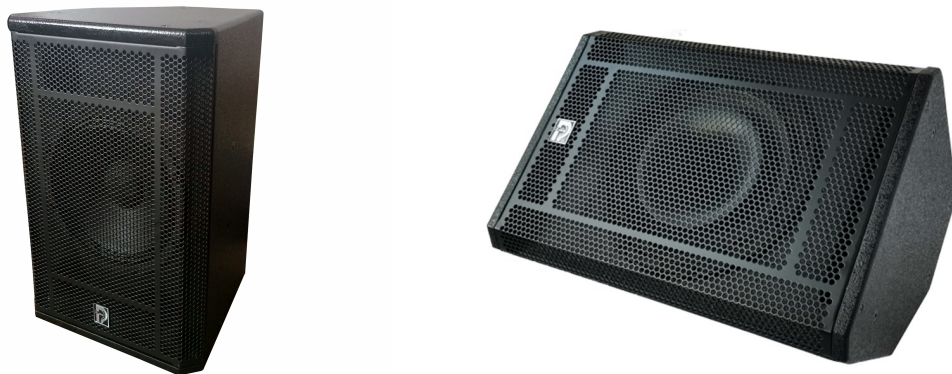




C.08 两分频同轴音箱

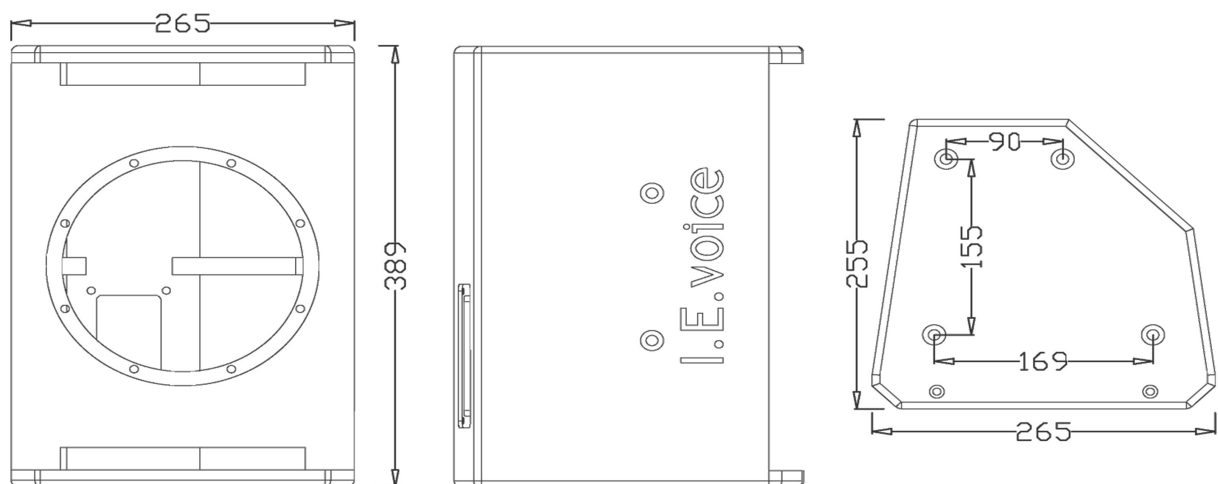
本产品的技术专利号：ZL 2018 2 1981273.9



音箱特性：同轴喇叭设计的唯一特点是：具有更精准的同声相发生点，使其在工作状态下的频率处理范围更宽、更大，从而使由于频率间的干涉效应造成的音色变化和失真率降到最小，因此同轴喇叭的音色效果具有极高的人声还原度和强劲的穿透力，并且能够清晰地体现出声音频率的层次感与干净度。由于I.E.voice钕磁同轴喇叭中、高频突出的优越性加上厚重的低频效应更增强了高密度的凝聚力，也就凸显出了I.E.voice钕磁同轴喇叭的瞬间动态的速度感、导致视听者在不同环境下都能感受到表演现场的真实感。

应用环境：本型号产品适用范围包括延时补声、舞台台唇补声、前区补声、墙挂安装以及分散式扩声等。

规格	参数
频率响应 (-10dB)	87Hz-18KHz
额定阻抗	8Ω
灵敏度 (1W/1m)	94dB
最大声压	121dB
标称覆盖角	80°锥形覆盖
单元结构	1X8" 低音; 1X1.25" 高音
额定功率	200W
接线座	2个4芯SPEAKON插座
吊挂点	12个 (直径=8mm)
外型尺寸 (WxHxD)	265 x 389 x 255mm
重量	8.5Kg (含包装)
主体颜色	黑色 (B) / 白色 (W)



C.08 dual-frequency coaxial speakers

The technical patent number of the product : ZL 2018 2 1981273.9



Speaker features: the only feature of coax-ial horn design is: the same sound with more accurate phase points, make its in the working status of the fre-quency range wider and larger, so that the tone changes due to the interference effect between the frequency and the distortion rate is minimized, thus the timbre of the coaxial horn effect has a very high voice reduction degree and strong penetrating power, and can clearly reflect the sound frequency administrative levels feeling and clean degree. Due to the outstanding advantages of the medium and high frequency of the neodymium coaxial trumps and the heavy low-frequency effect, the high density cohesion is enhanced, which highlights the instantaneous dynamic speed sense of the neodymium coaxial trumps, resulting in the audio-visual audience can feel the reality of the performance scene in different environments.

Application environment: The applicable scope of this model product includes delay repair sound, stage lip repair sound, front area repair sound, wall hanging installation and distributed sound reinforcement.

Specifications	Parameter
Frequency response (-10dB)	87Hz-18KHz
Rated impedance	8Ω
Sensitivity (1W/1m)	94dB
Maximum sound pressure	121dB
Nominal covering Angle	80° tapered coverage
Structure	1X8" bass ; 1X1.25" high
Rated power	200W
Socket	Two 4-wick SPEAKON outlets
Hanging point	12 (diameter =8mm)
Dimensions (WxHxD)	265 x 389 x 255mm
Weight	8.5Kg
Color	Black /white

